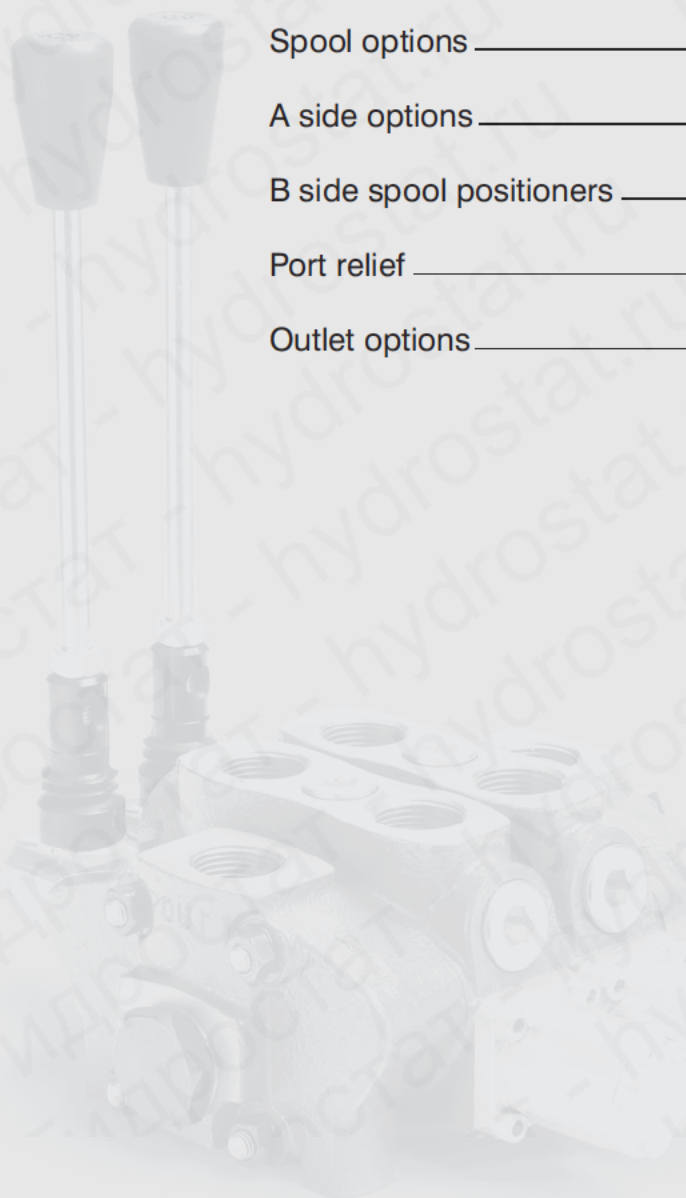

SN-4 Chapters

Sectional Directional Control Valves

| | |
|--------------------------|------|
| Working condition | P.5 |
| Ordering code | P.7 |
| Dimensions | P.12 |
| Performance data | P.13 |
| Inlet relief options | P.14 |
| Spool options | P.15 |
| A side options | P.20 |
| B side spool positioners | P.23 |
| Port relief | P.29 |
| Outlet options | P.30 |





For Mobile And Industrial Hydraulic Applications.

MB-2

ONLY ONE SECTION AVAILABLE



| | | |
|--|----------|-----------|
| Nominal flow rate | 45 l/min | 12 US gpm |
| Operating pressure (maximum) | 250 bar | 3600 psi |
| Back pressure (maximum) on outlet port T | 25 bar | 360 psi |

MB-3

AVAILABLE SECTIONS FROM 1 TO 6



| | | | |
|--|--|--------------------|----------------------|
| Nominal flow rate | 45 l/min | 12 US gpm | |
| Operating pressure (maximum) | parallel or tandem circuit series circuit | 315 bar 210 bar | 4600 psi 3050 psi |
| Back pressure (maximum) on outlet port T | 25 bar | 360 psi | |

MB-4

AVAILABLE SECTIONS FROM 1 TO 6



| | | | |
|--|--|--------------------|----------------------|
| Nominal flow rate | 60 l/min | 16 US gpm | |
| Operating pressure (maximum) | parallel or tandem circuit series circuit | 315 bar 210 bar | 4600 psi 3050 psi |
| Back pressure (maximum) on outlet port T | 25 bar | 360 psi | |

MB-5

AVAILABLE SECTIONS FROM 1 TO 6



| | | | |
|--|--|--------------------|----------------------|
| Nominal flow rate | 80 l/min | 21 US gpm | |
| Operating pressure (maximum) | parallel or tandem circuit series circuit | 315 bar 250 bar | 4600 psi 3600 psi |
| Back pressure (maximum) on outlet port T | 25 bar | 360 psi | |

MONOBLOCK DIRECTIONAL CONTROL VALVES

MB-2 / MB-3 / MB-4 / MB-5 / MSB-5

SECTIONAL DIRECTIONAL CONTROL VALVES

SN-3 / SN-4 / SN-6

MSB-5

AVAILABLE SECTIONS FROM 1 TO 6

With Independent load check valve in each section, and optional port relief.



| | | | |
|--|--|--------------------|----------------------|
| Nominal flow rate | 80 l/min | 21 US gpm | |
| Operating pressure (maximum) | parallel or tandem circuit series circuit | 315 bar 250 bar | 4600 psi 3600 psi |
| Back pressure (maximum) on outlet port T | 25 bar | 360 psi | |

SN-3

AVAILABLE SECTIONS FROM 1 TO 12



| | | | |
|--|--|--------------------|----------------------|
| Nominal flow rate | 50 l/min | 13 US gpm | |
| Operating pressure (maximum) | parallel or tandem circuit series circuit | 315 bar 210 bar | 4600 psi 3050 psi |
| Back pressure (maximum) on outlet port T | 25 bar | 360 psi | |

SN-4

AVAILABLE SECTIONS FROM 1 TO 12



| | | | |
|--|--|--------------------|----------------------|
| Nominal flow rate | 80 l/min | 21 US gpm | |
| Operating pressure (maximum) | parallel or tandem circuit series circuit | 315 bar 210 bar | 4600 psi 3050 psi |
| Back pressure (maximum) on outlet port T | 25 bar | 360 psi | |

SN-6

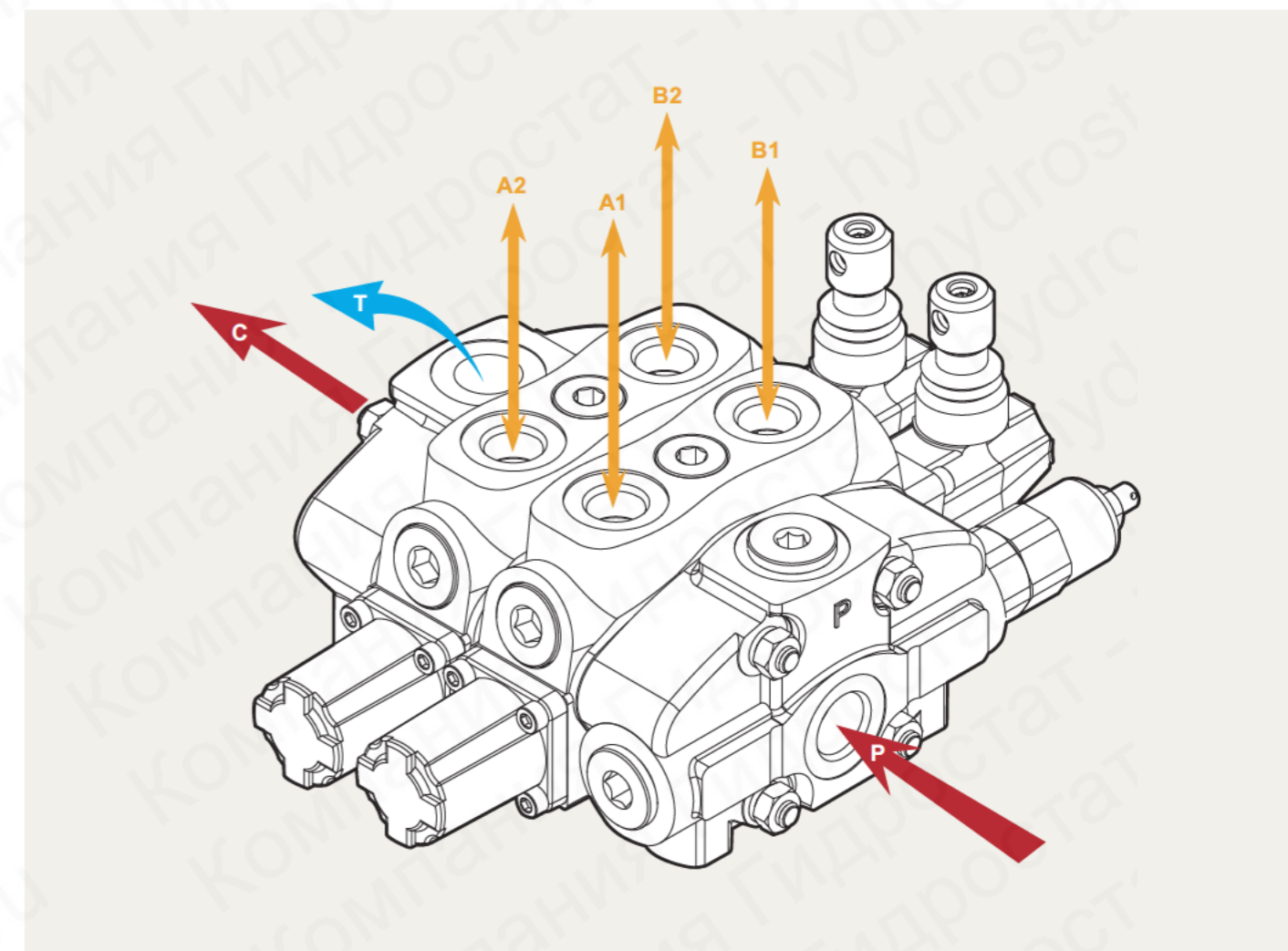
AVAILABLE SECTIONS FROM 1 TO 12



| | | | |
|--|--|--------------------|----------------------|
| Nominal flow rate | 140 l/min | 37 US gpm | |
| Operating pressure (maximum) | parallel or tandem circuit series circuit | 315 bar 210 bar | 4600 psi 3050 psi |
| Back pressure (maximum) on outlet port T | 25 bar | 360 psi | |

SN-4

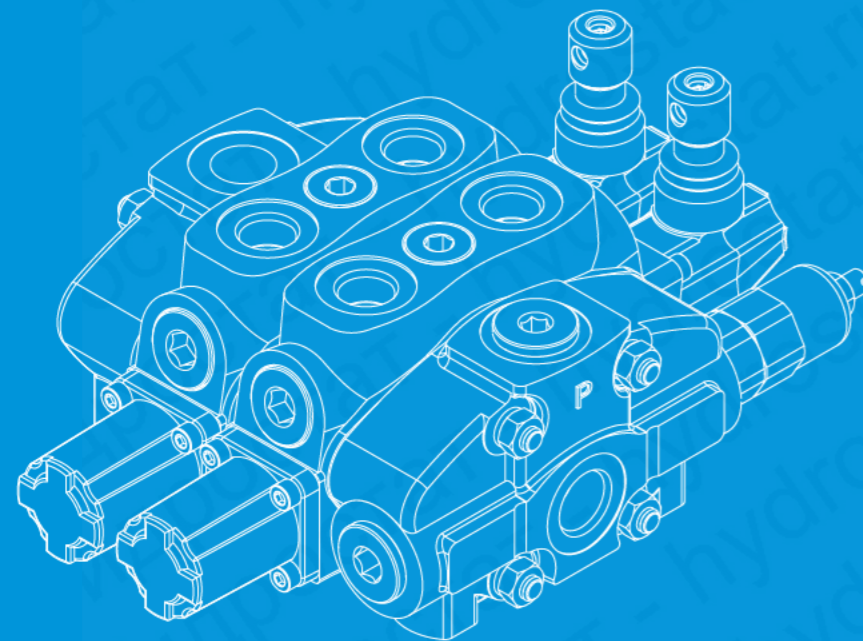
Sectional Directional Control Valves



SN-4 Specifications

| Nominal flow rate | | 80 l/min | 21 US gpm |
|------------------------------|----------------------------|----------------------------------|--------------------|
| Operating pressure (maximum) | parallel or tandem circuit | 315 bar | 4600 psi |
| | series circuit | 210 bar | 3050 psi |
| Back pressure (maximum) | on outlet port T | 25 bar | 360 psi |
| | with NBR(BUNA N) seals | from 20° to 80°C | from 4° to 176° F |
| Fluid temperature range | with FPM(VITON) seal | from 20° to 100°C | from 4° to 212° F |
| | operating range | from 15 to 75 mm ² /s | from 15 to 75 cst |
| Viscosity | min | 12 mm ² /s | 12 cst |
| | max. | 400 mm ² /s | 400 cst |
| Ambient temperature range | | from 40° to 60°C | from 40° to 140° F |

• All specifications, dimensions and design characteristics shown in this catalogue are subject to change without notice.



Innovative Designs
Professional Quality
Customer Satisfaction !

AVAILABLE SECTIONS FROM
1 TO 12

SN-4

Sectional Directional Control Valves



SN-4 Complete Sectional Directional Control Valves

HOW TO ORDER FOR A COMPLETE ASSEMBLED VALVE

SN-4 / 2S - 3 / 18L / 28L / G-4-6 / M3

2S No. of working section

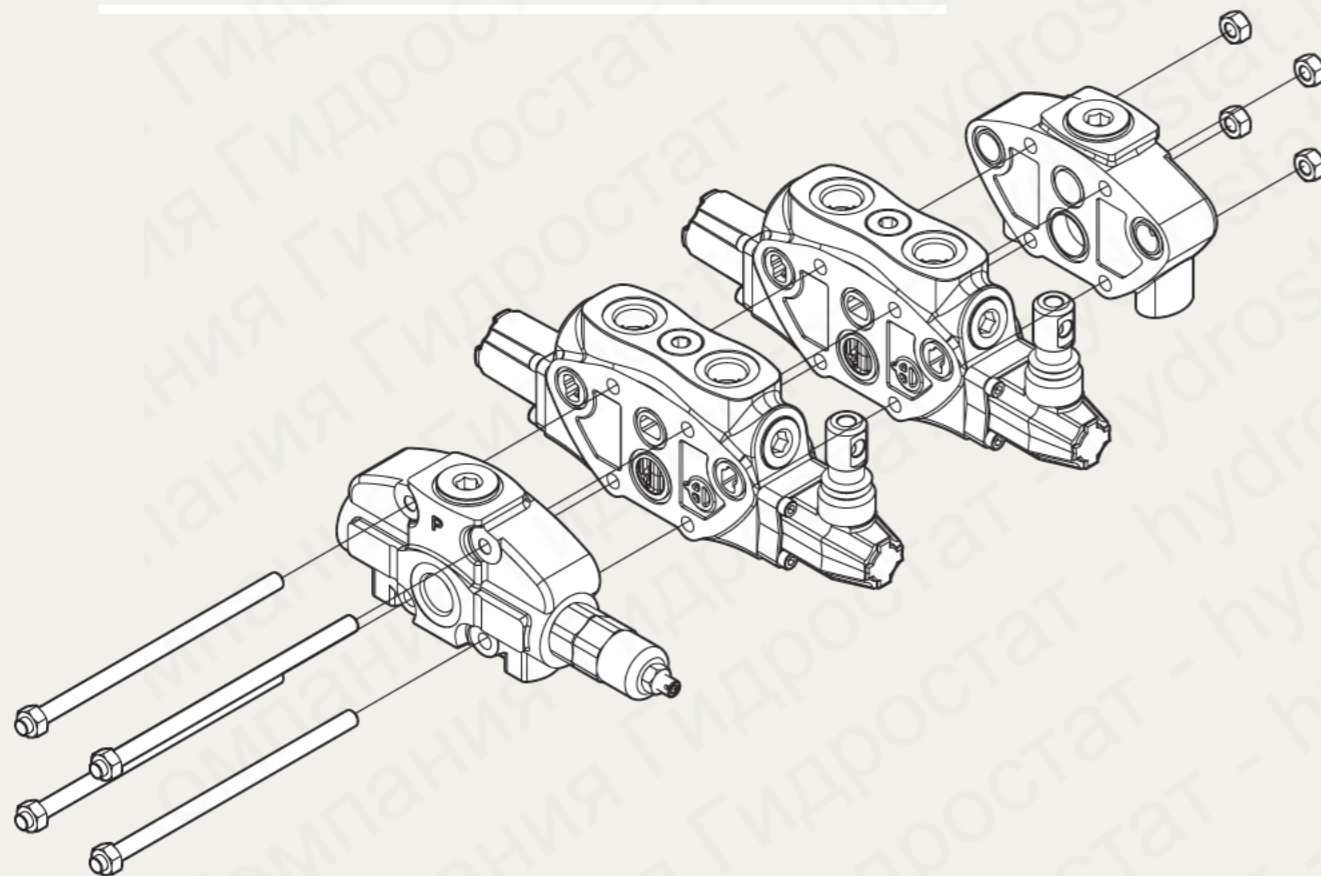
3 Inlet cover with a main pressure relief valve

18L 1st section (complete working section)

28L Following section (complete working section)

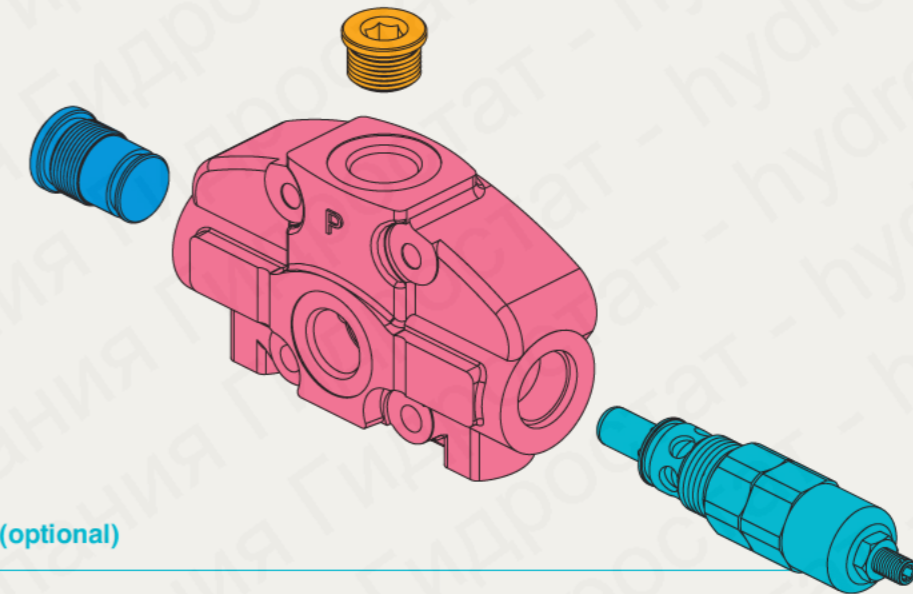
G-4-6 BSP ports

M3 Outlet cover



SN-4 Inlet Section Sectional Directional Control Valves

FP SN-4 / SG-3 / G4

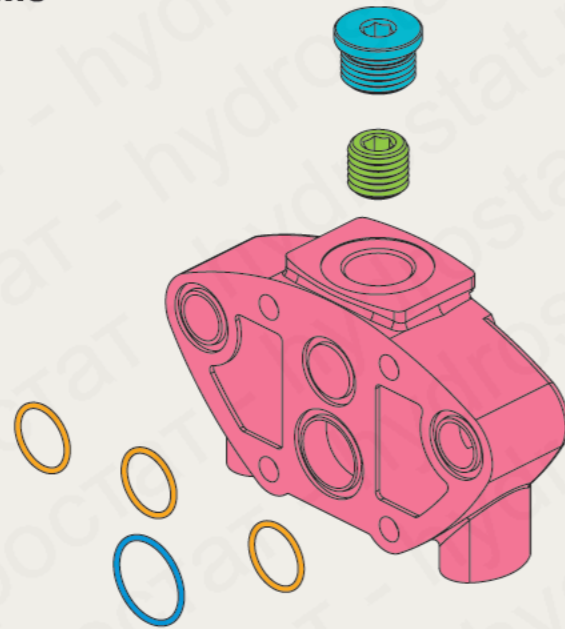


Inlet relief (optional)

| Inlet Relief (optional) | | | |
|-------------------------|------------|---|-------|
| TYPE | CODE | DESCRIPTION | PAGE |
| SG 2 | YLPSN43002 | Range 80 to 160 bar / 1150 to 2300 psi , standard setting 125 bar / 1800 psi | P. 14 |
| SG 3 | YLPSN43003 | Range 125 to 250 bar / 1800 to 3600 psi , standard setting 175 bar / 2500 psi | P. 14 |
| SG 4 | YLPSN43004 | Range 200 to 315bar / 2900 to 4600 psi , standard setting 220 bar / 3200 psi | P. 14 |
| | | Standard setting is referred to 10 l/min 2.6 US gpm flow. | P. 14 |
| SV | YLPSN44000 | Relief valve blanking plug | P. 14 |
| XSG | YLX21000 | Pilot operated pressure relief valve Range 25 to 315 bar/ 360 to 4600 psi, standard setting 125 bar/ 1800 psi | P. 14 |

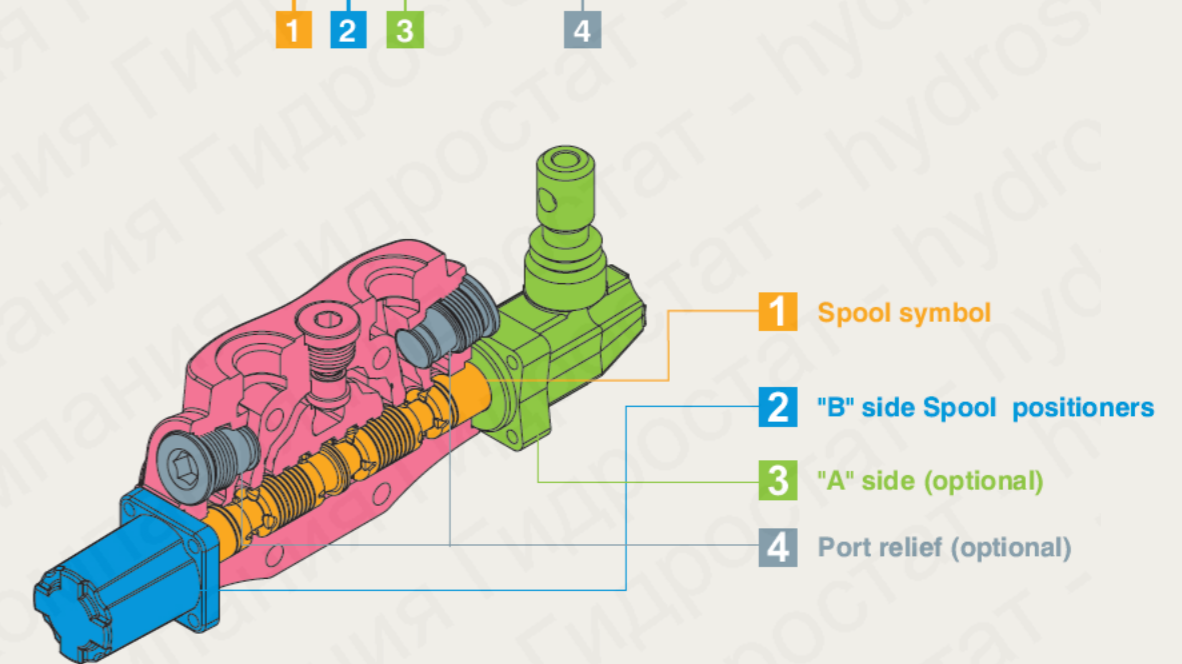
SN-4 Outlet Section Sectional Directional Control Valves

FT SN-4 / G-6 / M3



SN-4 Working Section Sectional Directional Control Valves

EW SN-4 / 1S / 1 8 L / P1(G3-100) / G-4



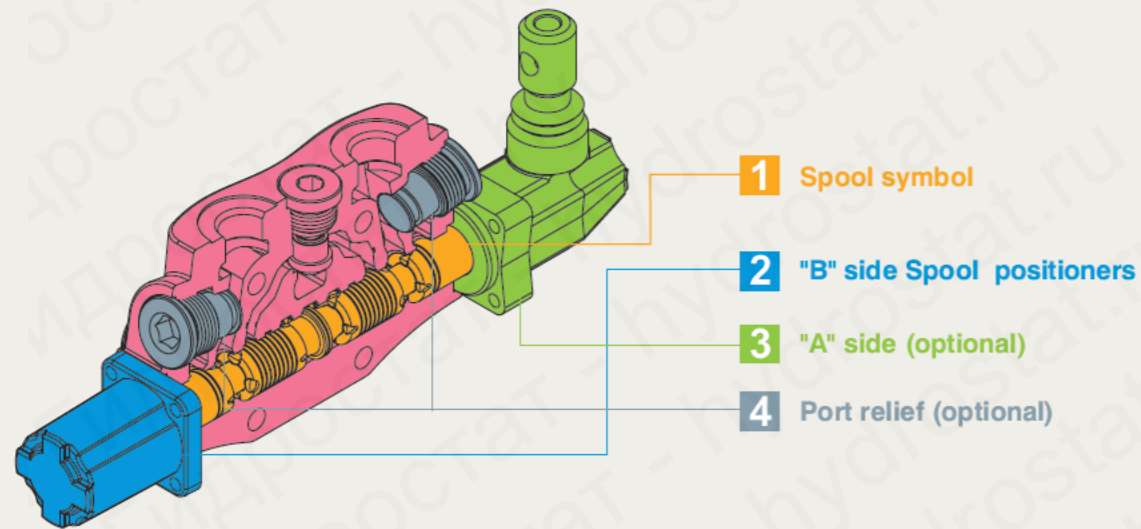
| 1: Spool Symbol | | | |
|-----------------|------------|--|-------|
| TYPE | CODE | DESCRIPTION | PAGE |
| 1 | YLWSN42001 | Double acting,3 positions,with A and B closed in neutral position | P. 15 |
| 1S | YLWSN42010 | Double acting,3 positions,with A and B closed in neutral position, for series circuit | P. 18 |
| 2 | YLWSN42002 | Double acting,3 positions,with A and B open to tank in neutral position | P. 15 |
| 3 | YLWSN42003 | Single acting on A closed in neutral position, 3 positions, B plugged | P. 16 |
| 4 | YLWSN42004 | Single acting on B closed in neutral position, 3 positions, A plugged | P. 16 |
| 5 | YLWSN42005 | Double acting, 3 positions, with B open to Tank in neutral position | P. 17 |
| 6 | YLWSN42006 | Double acting, 3 positions, with A open to Tank in neutral position | P. 17 |
| 5PY | YLWSN43051 | Double acting, 4 positions, floating circuit in 4th position with A, B open to Tank by pushing the lever | P. 19 |

SN-4 Working Section

Sectional Directional Control Valves

EW SN-4 / 1S / **1 8 L** / P1(G3-100) / G-4

1 2 3 4



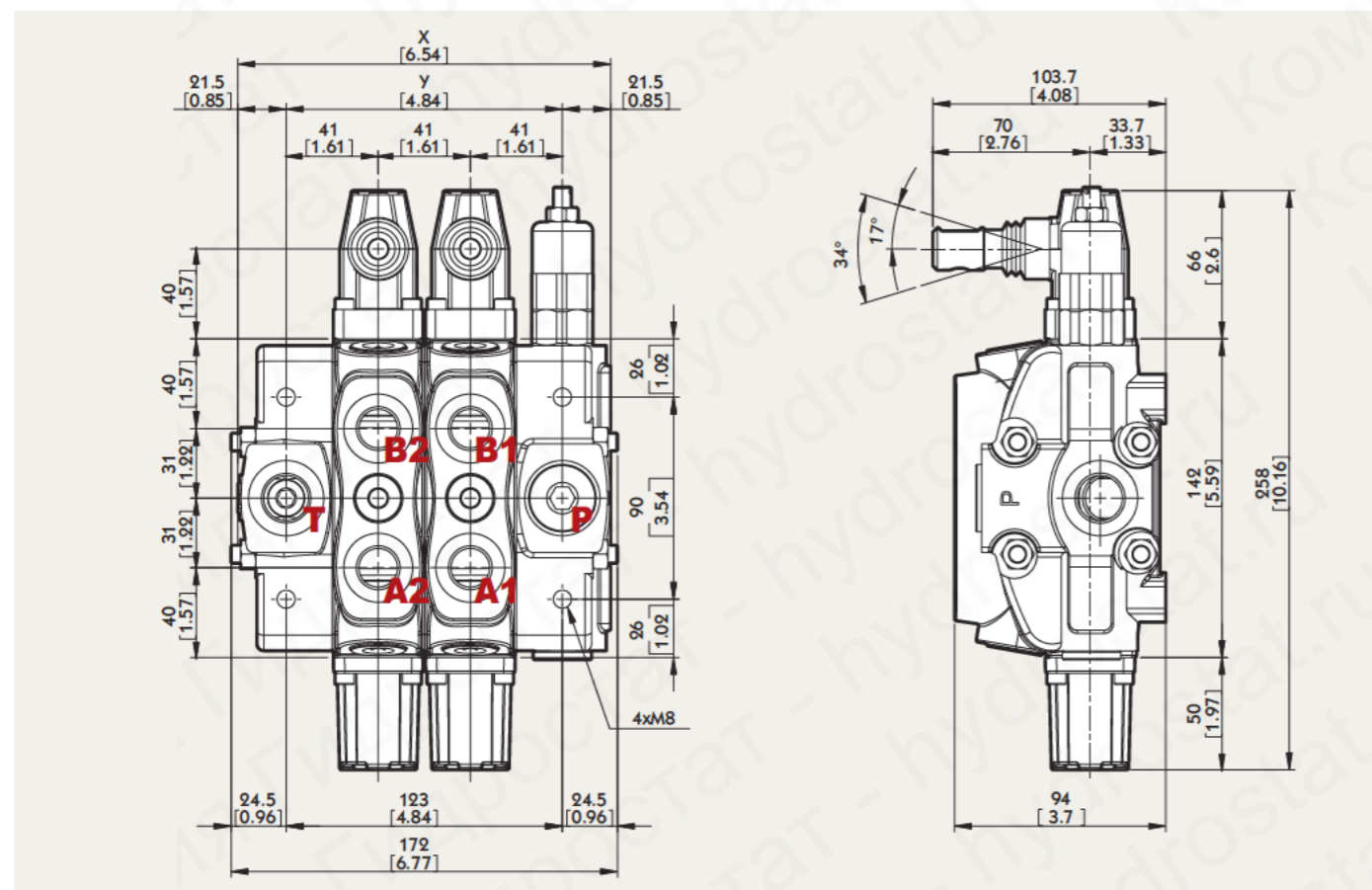
| 2: B Side Spool Positioners | | | |
|-----------------------------|-------------|---|-------|
| TYPE | CODE | DESCRIPTION | PAGE |
| 6 1 | YLWSN43061 | Detent in pos. 1 0 2, without spring centered | P. 23 |
| 6 2 | YLWSN43062 | 2 positions, detent in pos. 0 2, without spring centered | P. 23 |
| 6 3 | YLWSN43063 | 2 positions, detent in pos. 1 0, without spring centered | P. 23 |
| 8D2 | YLWSN43082 | With spring return to neutral position and pin with M8 male thread for dual control | P. 23 |
| 8P | YLWSN43080 | ON/OFF Pneumatic actuator | P. 24 |
| 8EP3 | YLWSN44300 | ON/OFF Electro Pneumatic actuator | P. 24 |
| 8MG1 (NO) | YLWSN43801 | Microswitch kit operated in pos. 1 (Normally Open) | P. 27 |
| 8MG2 (NO) | YLWSN43802 | Microswitch kit operated in pos. 2 (Normally Open) | P. 27 |
| 8MG3 (NO) | YLWSN43803 | Microswitch kit operated in pos. 1&2 (Normally Open) | P. 27 |
| MG (NO) | YLWSN43804 | Microswitch with NO terminal | P. 27 |
| 8MG1 (NC) | YLWSN438011 | Microswitch kit operated in pos. 1 (Normally Closed) | P. 27 |
| 8MG2 (NC) | YLWSN438021 | Microswitch kit operated in pos. 2 (Normally Closed) | P. 27 |
| 8MG3 (NC) | YLWSN438031 | Microswitch kit operated in pos. 1&2 (Normally Closed) | P. 27 |
| MG (NC) | YLWSN438041 | Microswitch with NC terminal | P. 27 |
| 8 | YLWSN43008 | With spring return to neutral position | P. 28 |
| 8 1 | YLWSN44081 | 2 positions, with spring centered from pos. 1 | P. 28 |
| 8 2 | YLWSN44082 | 2 positions, with spring centered from pos. 2 | P. 28 |
| 9 1 | YLWSN43091 | Detent in pos. 1, 2 with spring centered | P. 28 |
| 9 2 | YLWSN43092 | Detent in pos. 2 with spring centered | P. 28 |
| 9 3 | YLWSN43093 | Detent in pos. 1 with spring centered | P. 28 |

| 2: B Side Spool Positioners | | | |
|-----------------------------|------------|--|-------|
| TYPE | CODE | DESCRIPTION | PAGE |
| 8ED3+RV KE1R3 | YLWSN43201 | 1S: ON/OFF Electro Hydraulic control kit with pilot and drain line+backpressure valve (12/24 VDC) | P. 25 |
| 8ED3+RV KE2R3 | YLWSN43202 | 2S: ON/OFF Electro Hydraulic control kit with pilot and drain line+backpressure valve (12/24 VDC) | P. 25 |
| 8ED3+RV KE3R3 | YLWSN43203 | 3S: ON/OFF Electro Hydraulic control kit with pilot and drain line+backpressure valve (12/24 VDC) | P. 25 |
| 8ED3+RV KE4R3 | YLWSN43204 | 4S: ON/OFF Electro Hydraulic control kit with pilot and drain line+backpressure valve (12/24 VDC) | P. 25 |
| 8ED3+RV KE5R3 | YLWSN43205 | 5S: ON/OFF Electro Hydraulic control kit with pilot and drain line+backpressure valve (12/24 VDC) | P. 25 |
| 8ED3+RV KE6R3 | YLWSN43206 | 6S: ON/OFF Electro Hydraulic control kit with pilot and drain line+backpressure valve (12/24 VDC) | P. 25 |
| 8ED3+RV KE7R3 | YLWSN43207 | 7S: ON/OFF Electro Hydraulic control kit with pilot and drain line+backpressure valve (12/24 VDC) | P. 25 |
| 8ED3+RV KE8R3 | YLWSN43208 | 8S: ON/OFF Electro Hydraulic control kit with pilot and drain line+backpressure valve (12/24 VDC) | P. 25 |
| 8ED3+RV KE9R3 | YLWSN43209 | 9S: ON/OFF Electro Hydraulic control kit with pilot and drain line+backpressure valve (12/24 VDC) | P. 25 |
| 8ED3+RV KE10R3 | YLWSN43210 | 10S: ON/OFF Electro Hydraulic control kit with pilot and drain line+backpressure valve (12/24 VDC) | P. 25 |
| 8ED3+RV KE11R3 | YLWSN43211 | 11S: ON/OFF Electro Hydraulic control kit with pilot and drain line+backpressure valve (12/24 VDC) | P. 25 |
| 8ED3+RV KE12R3 | YLWSN43212 | 12S: ON/OFF Electro Hydraulic control kit with pilot and drain line+backpressure valve (12/24 VDC) | P. 25 |
| 8ER3+RV KE1S0 | YLWSN43401 | 1S: ON/OFF Electro hydraulic control kit with collector kit for external pilot and drain | P. 26 |
| 8ER3+RV KE2S0 | YLWSN43402 | 2S: ON/OFF Electro hydraulic control kit with collector kit for external pilot and drain | P. 26 |
| 8ER3+RV KE3S0 | YLWSN43403 | 3S: ON/OFF Electro hydraulic control kit with collector kit for external pilot and drain | P. 26 |
| 8ER3+RV KE4S0 | YLWSN43404 | 4S: ON/OFF Electro hydraulic control kit with collector kit for external pilot and drain | P. 26 |
| 8ER3+RV KE5S0 | YLWSN43405 | 5S: ON/OFF Electro hydraulic control kit with collector kit for external pilot and drain | P. 26 |
| 8ER3+RV KE6S0 | YLWSN43406 | 6S: ON/OFF Electro hydraulic control kit with collector kit for external pilot and drain | P. 26 |
| 8ER3+RV KE7S0 | YLWSN43407 | 7S: ON/OFF Electro hydraulic control kit with collector kit for external pilot and drain | P. 26 |
| 8ER3+RV KE8S0 | YLWSN43408 | 8S: ON/OFF Electro hydraulic control kit with collector kit for external pilot and drain | P. 26 |
| 8ER3+RV KE9S0 | YLWSN43409 | 9S: ON/OFF Electro hydraulic control kit with collector kit for external pilot and drain | P. 26 |
| 8ER3+RV KE10S0 | YLWSN43410 | 10S: ON/OFF Electro hydraulic control kit with collector kit for external pilot and drain | P. 26 |
| 8ER3+RV KE11S0 | YLWSN43411 | 11S: ON/OFF Electro hydraulic control kit with collector kit for external pilot and drain | P. 26 |
| 8ER3+RV KE12S0 | YLWSN43412 | 12S: ON/OFF Electro hydraulic control kit with collector kit for external pilot and drain | P. 26 |

| 3: A Side (Optional) | | | |
|----------------------|------------|--|-------|
| TYPE | CODE | DESCRIPTION | PAGE |
| L | YLWSN44000 | Standard lever | P. 20 |
| SLP | YLWSN44001 | Without lever, with dust proof plate | P. 20 |
| LCB | YLWSN44002 | Joystick lever for 2 section operation | P. 21 |
| TQ | YLWSN44003 | Flexible cable connection | P. 22 |

| 4: Port Relief (Optional) | | | |
|---------------------------|------------|--|-------|
| TYPE | CODE | DESCRIPTION | PAGE |
| P (G2 63) | YLWSN45002 | Anti shock valve, range 63 to 125 bar / form 900 to 1800 psi standard setting 63 bar / 900 psi | P. 29 |
| P (G3 100) | YLWSN45003 | Anti shock valve, range 100 to 250 bar / form 1450 to 3600 psi standard setting 100bar / 1450 psi | P. 29 |
| P (G4 200) | YLWSN45004 | Anti shock valve, range 200 to 315 bar / form 2900 to 4600 psi standard setting 200 bar / 2900 psi | P. 29 |
| PM (G2 63) | YLWSN45005 | Anti shock valve, range 63 to 125 bar / form 900 to 1800 psi standard setting 63 bar / 900 psi, for low setting | P. 29 |
| U (G2 63) | YLWSN45012 | Anti shock valve and Anti cavitation valve, range 63 to 125 bar / form 900 to 1800 psi standard setting 63 bar / 900 psi | P. 29 |
| U (G3 100) | YLWSN45013 | Anti shock valve and Anti cavitation valve, range 100 to 250 bar / form 1450 to 3600 psi standard setting 100 bar / 1450 psi | P. 29 |
| U (G4 200) | YLWSN45014 | Anti shock valve and Anti cavitation valve, range 200 to 315 bar / form 2900 to 4600 psi standard setting 200 bar / 2900 psi | P. 29 |
| C | YLWSN45100 | Anti cavitation | P. 29 |

SN-4 Dimensions Sectional Directional Control Valves



Standard threads

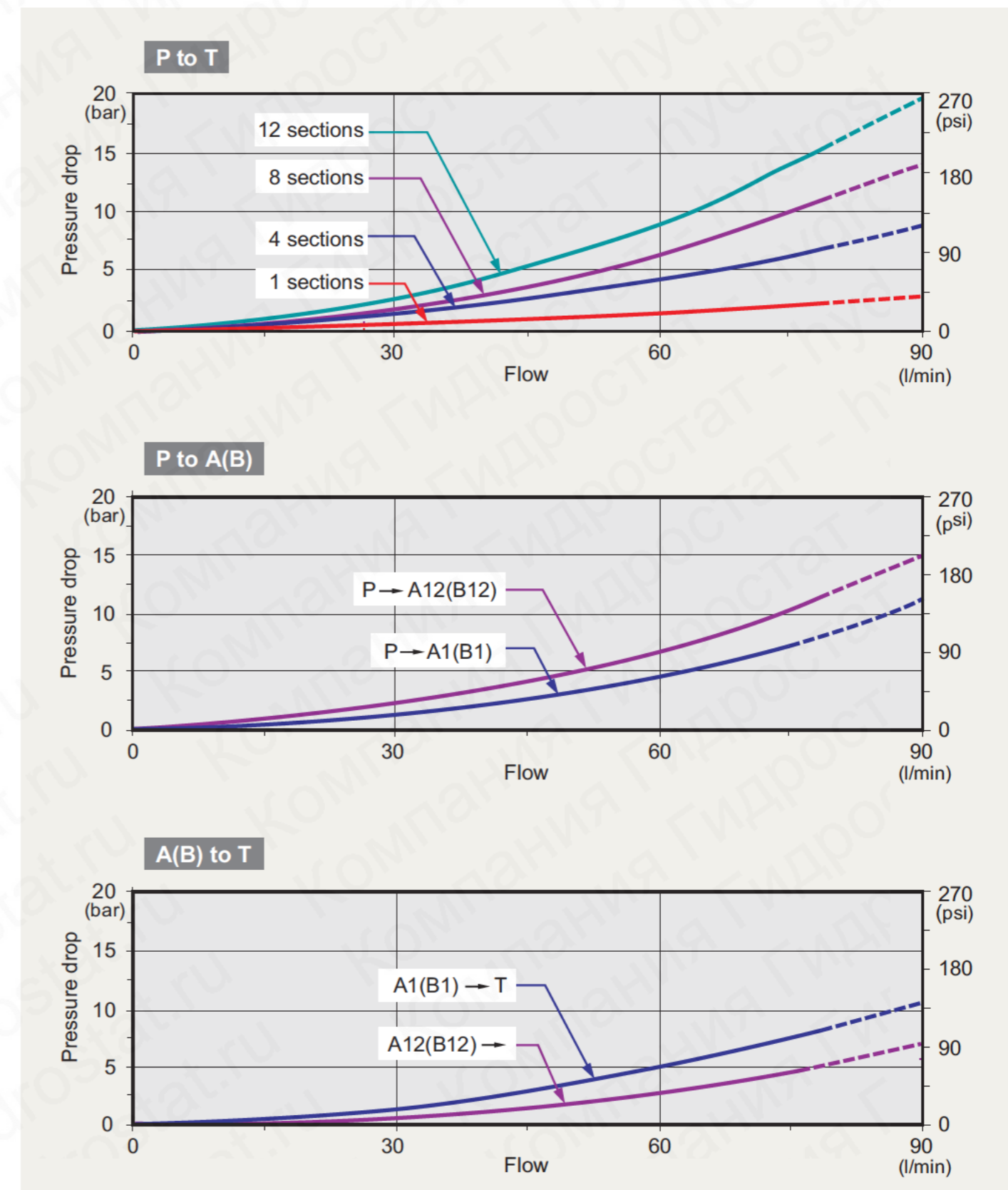
| Ports | Inlet P and carry-over C | A and B | Outlet T | Pilot ports | Hydraulic | Pneumatic |
|--------|--------------------------|-----------------------|------------------------|-------------|------------------------|-------------|
| BSP | G1/2 | G1/2 | G3/4 | BSP | G1/4 | NPTF 1/8 27 |
| UN UNF | 7/8 14 UNF 2B (SAE 10) | 3/4 16 UNF 2B (SAE 8) | 7/8 14 UNF 2B (SAE 10) | UN UNF | 9/16 18 UNF 2B (SAE 6) | NPTF 1/8 27 |
| METRIC | M22x1.5 | M22x1.5 | M22x1.5 | METRIC | G1/4 | NPTF 1/8 27 |

Standard dimensions

| TYPE | X | | Y | | TYPE | X | | Y | |
|---------|-----|-------|-----|------|----------|-----|-------|-----|-------|
| | mm | in | mm | in | | mm | in | mm | in |
| SN4 /1S | 128 | 5.04 | 82 | 3.23 | SN4 /7S | 374 | 14.72 | 328 | 12.91 |
| SN4 /2S | 169 | 6.65 | 123 | 4.84 | SN4 /8S | 415 | 16.33 | 369 | 14.52 |
| SN4 /3S | 210 | 8.27 | 164 | 6.46 | SN4 /9S | 456 | 17.94 | 410 | 16.13 |
| SN4 /4S | 251 | 9.88 | 205 | 8.07 | SN4 /10S | 497 | 19.55 | 451 | 17.74 |
| SN4 /5S | 292 | 11.5 | 246 | 9.69 | SN4 /11S | 538 | 21.16 | 492 | 19.35 |
| SN4 /6S | 333 | 13.11 | 267 | 11.3 | SN4 /12S | 579 | 22.77 | 533 | 20.96 |

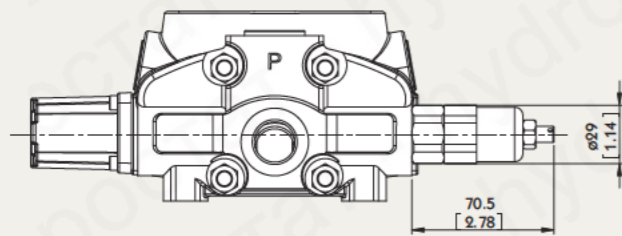
• G-1/2 : G4 G-3/8 : G3 G-3/4 : G6
• SAE 8: E8 SAE 10: E10 SAE 12: E12 SAE 16: E16

SN-4 Performance Curve Chart Sectional Directional Control Valves



SN-4 Inlet Relief (Optional) Sectional Directional Control Valves

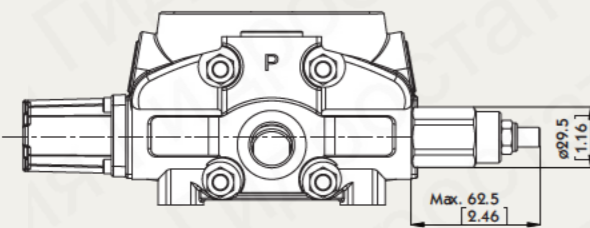
Type SG



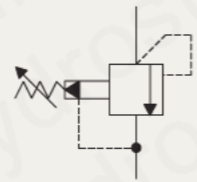
Direct pressure relief valve:



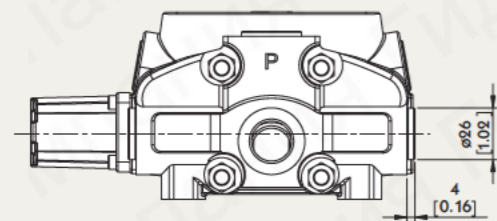
Type XSG



Pilot operated pressure relief valve:



Type SV

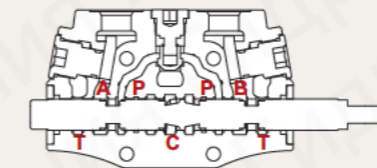


Relief valve blanking plug:

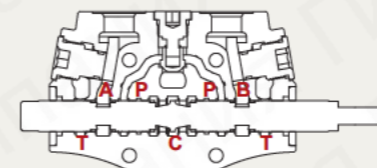
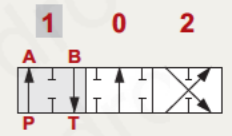


SN-4 Spool Options Sectional Directional Control Valves

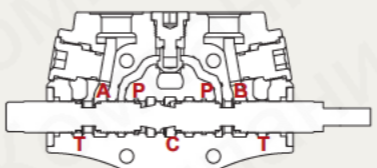
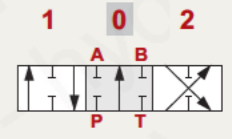
TYPE 1



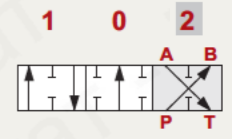
P → A
B → T
C closed



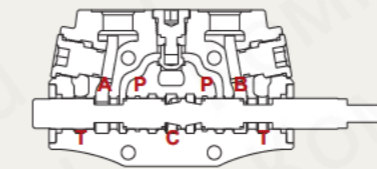
P & T & A & B closed
C open



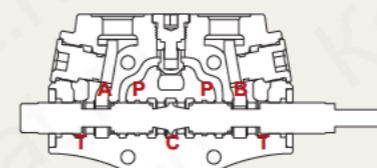
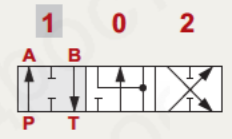
P → B
A → T
C closed



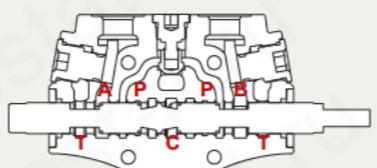
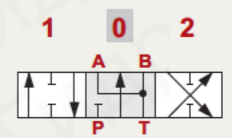
TYPE 2



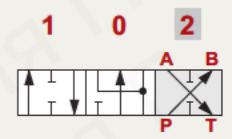
P → A
B → T
C closed



A & B → T
P closed
C open



P → B
A → T
C closed



SN-4 Spool Options

Sectional Directional Control Valves

| TYPE 3 | | |
|--------|-----------------------------|-------------------------------|
| | P → A C closed | 1 0 2 "B" port plugged |
| | P & A closed C open | 1 0 2 "B" port plugged |
| | A → T P closed C open | 1 0 2 "B" port plugged |

| TYPE 4 | | |
|--------|-----------------------------|-------------------------------|
| | B → T P closed C open | 1 0 2 "A" port plugged |
| | P & B closed C open | 1 0 2 "A" port plugged |
| | P → B C closed | 1 0 2 "A" port plugged |

SN-4 Spool Options

Sectional Directional Control Valves

| TYPE 5 | | |
|--------|---------------------------------|-----------|
| | P → A B → T C closed | 1 0 2 |
| | B → T P & A closed C open | 1 0 2 |
| | P → B A → T C closed | 1 0 2 |

| TYPE 6 | | |
|--------|---------------------------------|-----------|
| | P → A B → T C closed | 1 0 2 |
| | B → T P & A closed C open | 1 0 2 |
| | P → B A → T C closed | 1 0 2 |

SN-4 Spool Options

Sectional Directional Control Valves

| TYPE 1S | | |
|---------|---|--------------------------------------|
| | <p>P → A</p> <p>B → C</p> <p>T closed</p> | <p>1 0 2</p> <p>"B" port plugged</p> |
| | <p>P & A & B & T closed</p> <p>C open</p> | <p>1 0 2</p> <p>"B" port plugged</p> |
| | <p>P → B</p> <p>A → C</p> <p>T closed</p> | <p>1 0 2</p> <p>"B" port plugged</p> |

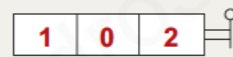
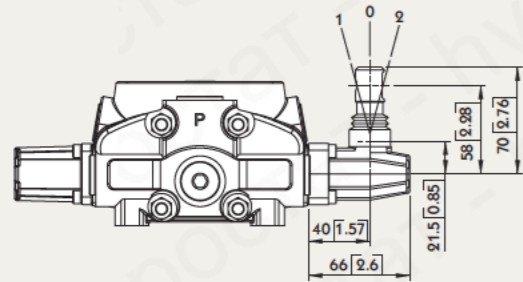
SN-4 Spool Options

Sectional Directional Control Valves

| TYPE 5PY | | NOTE : WITH SPECIAL BODY AND SPECIAL POSITIONER. |
|----------|---|--|
| | <p>A & B → T</p> <p>P closed</p> <p>C open</p> | <p>3 1 0 2</p> |
| | <p>P → A</p> <p>B → T</p> <p>C closed</p> | <p>3 1 0 2</p> |
| | <p>P & T & A & B closed</p> <p>C open</p> | <p>3 1 0 2</p> |
| | <p>P → B</p> <p>A → T</p> <p>C closed</p> | <p>3 1 0 2</p> |

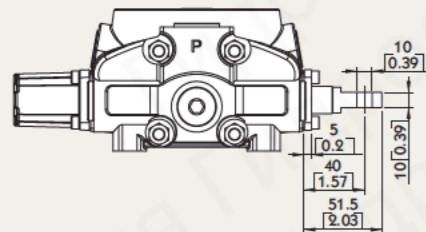
SN-4 A Side Sectional Directional Control Valves

Type L



Type L:
STANDART LEVER KIT

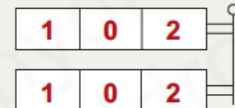
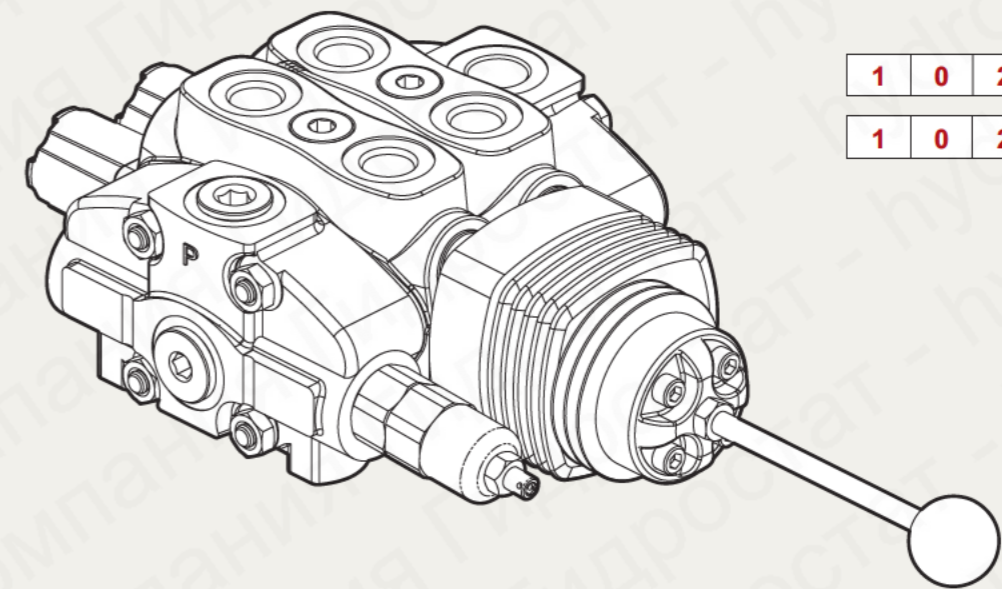
Type SLP



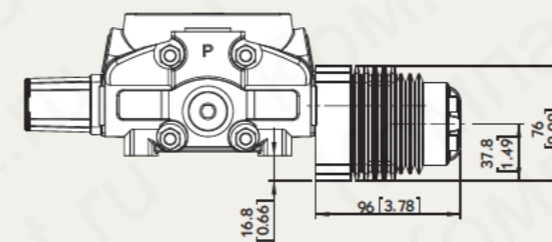
Type SLP:
WITH DUST PROOF PLATE

SN-4 A Side Sectional Directional Control Valves

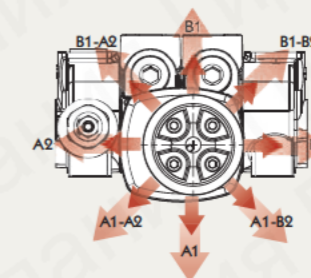
LCB: Joystick control



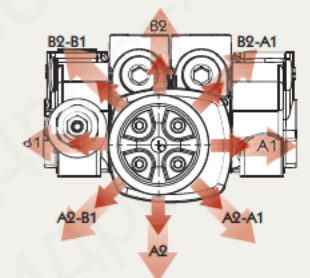
Type LCB



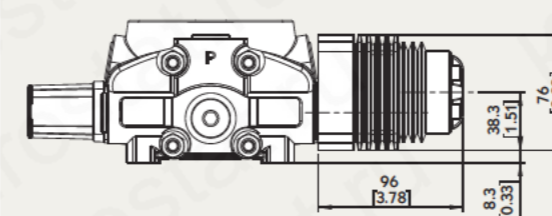
LCB1



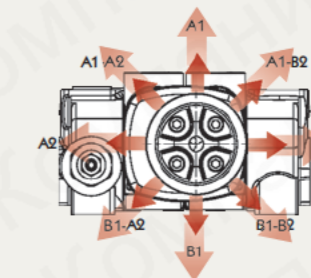
LCB2



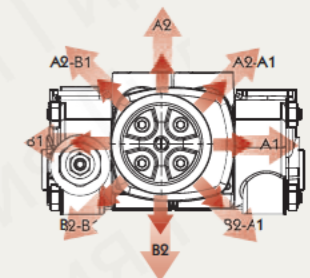
Type LCB



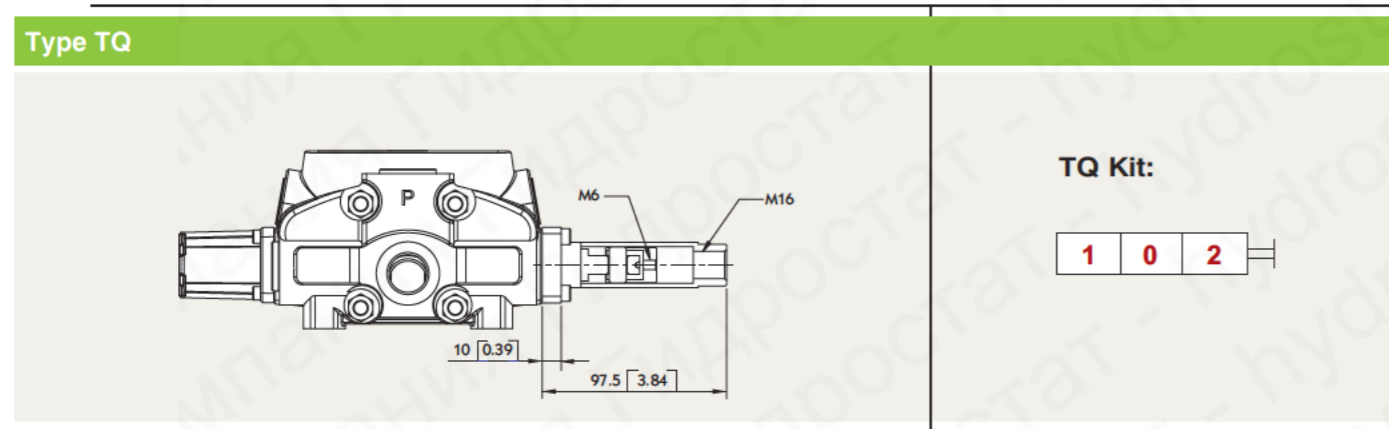
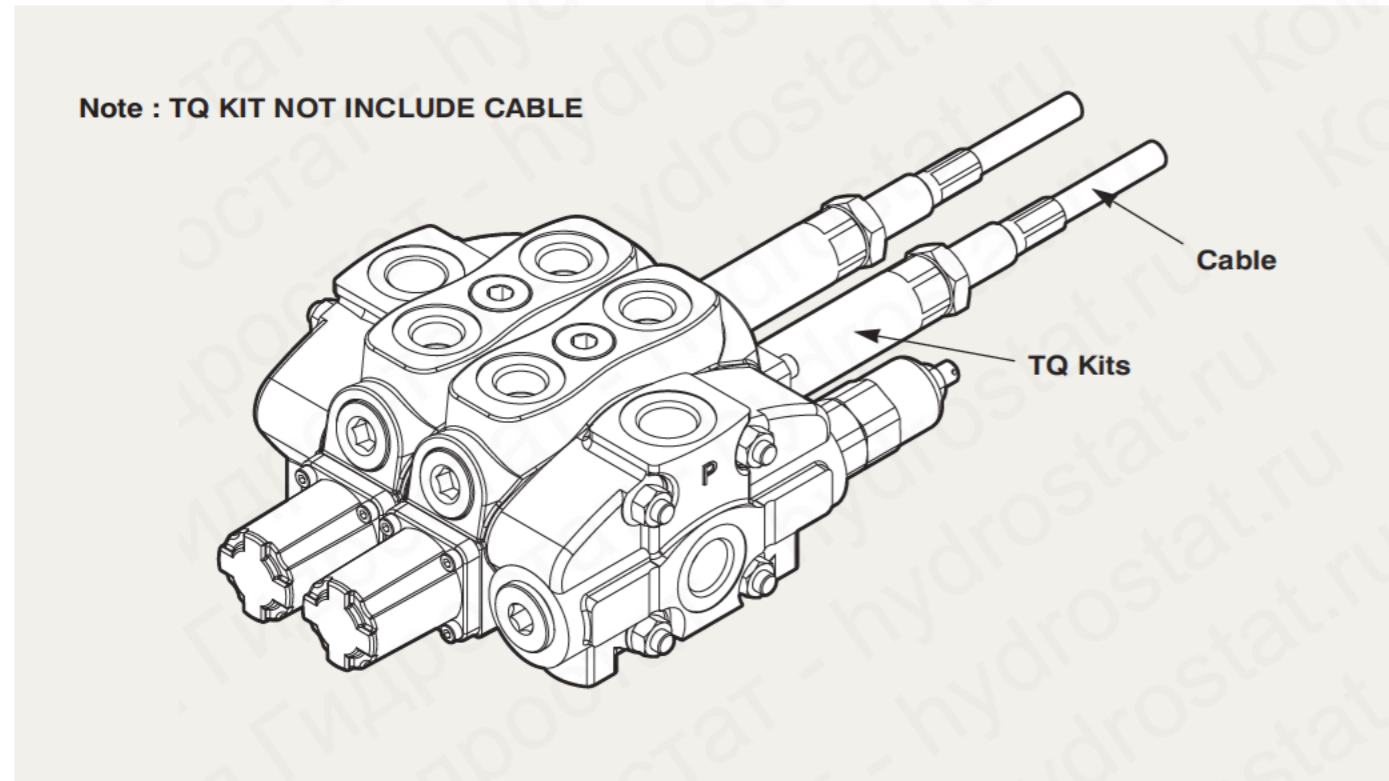
LCB3



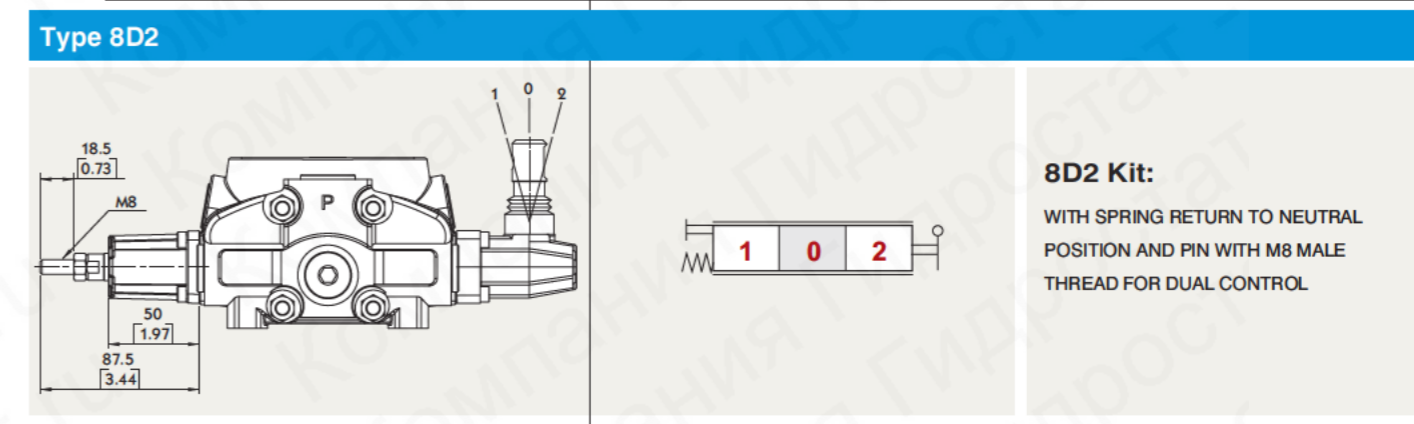
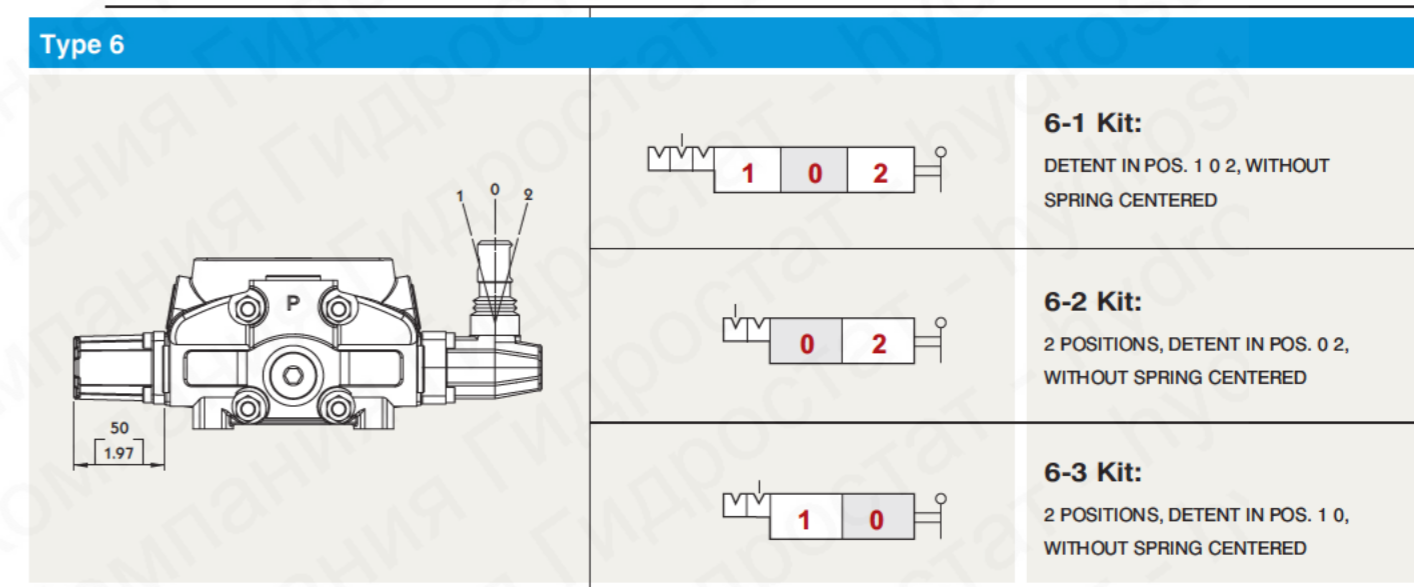
LCB4



SN-4 A Side Sectional Directional Control Valves



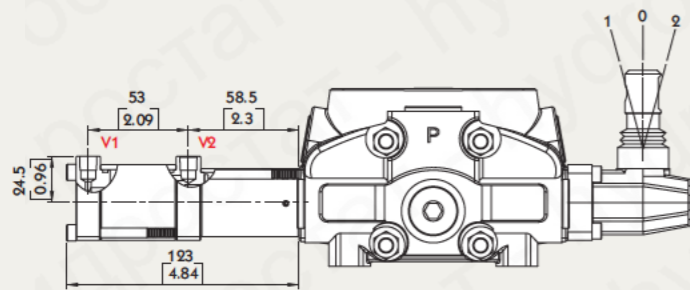
SN-4 B Side Sectional Directional Control Valves



SN-4 B Side Sectional Directional Control Valves

Type 8P

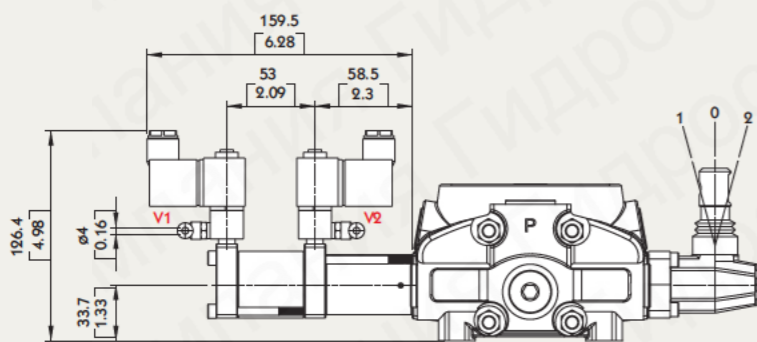
V1 & V2 : NPT 1/8 - 27



Pilot pressure : FROM 7 TO 10 BAR / 101 TO 145 PSI

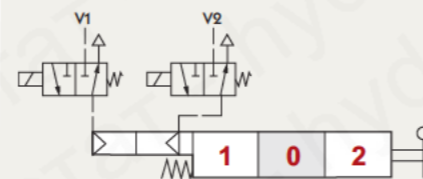


Type 8EP3



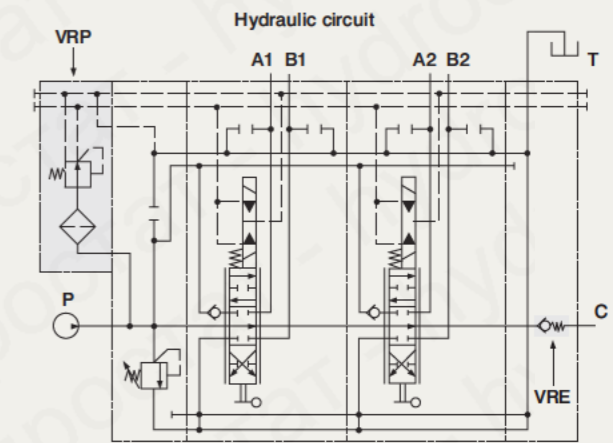
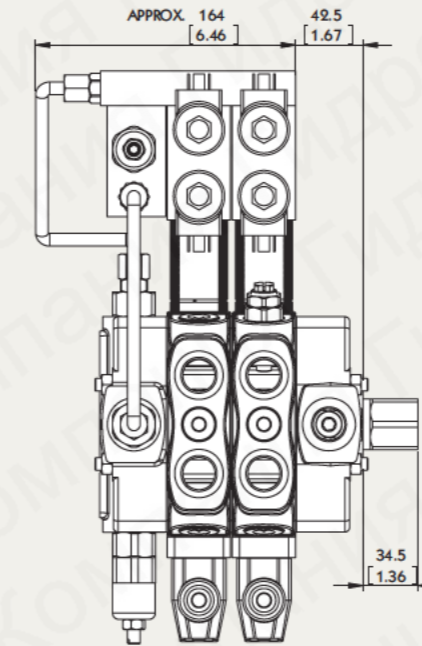
Solenoid operating features :

NOMINAL VOLTAGE: 24VDC
NOMINAL VOLTAGE TOLERANCE: ±10%
POWER RATING: 5W



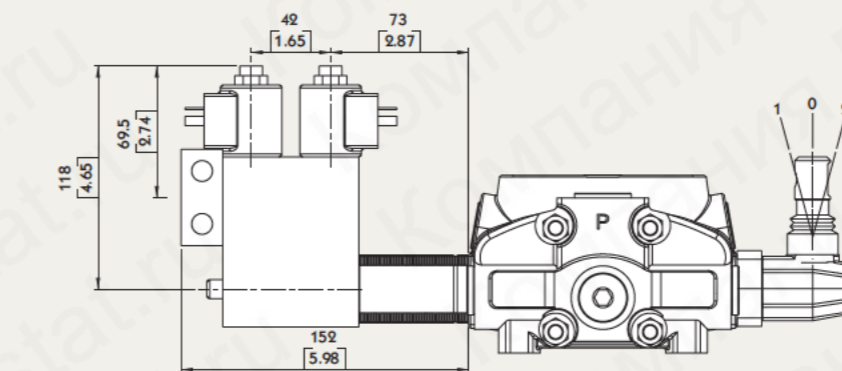
SN-4 B Side Sectional Directional Control Valves

Type 8ED3



VRP valve operating features :

OUTLET PRESSURE: 25 BAR / 363 PSI
MAX. FLOW: 8 L/MIN / 2.1 US GPM
FLTERING: 80 μ

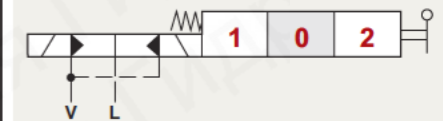


Operating features :

PILOT PRESSURE: • MIN. 10 BAR / 145 PSI
• MAX. 50 BAR / 725 PSI
MAX. BACKPRESSURE ON DRAIN L: 25 BAR / 360PSI

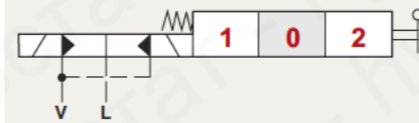
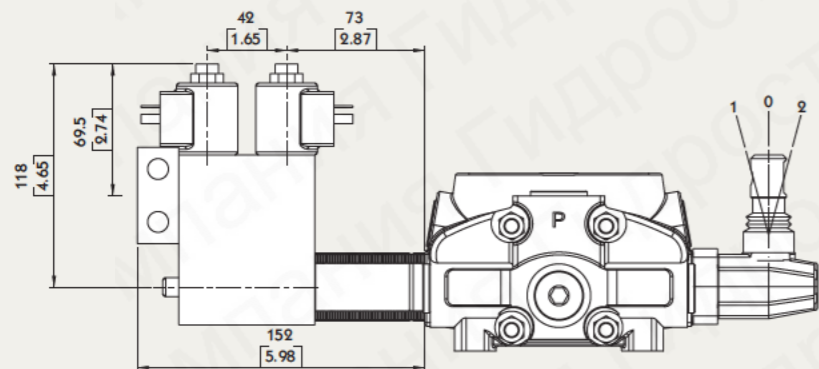
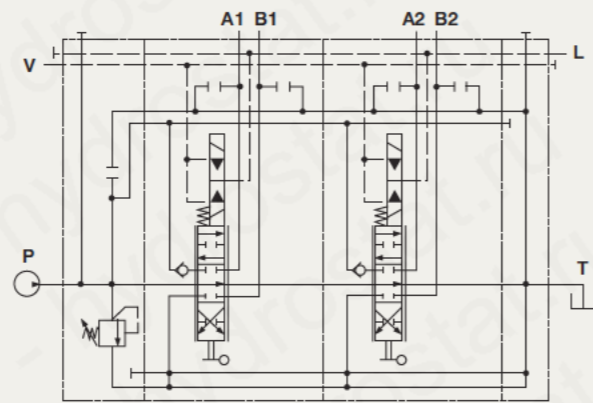
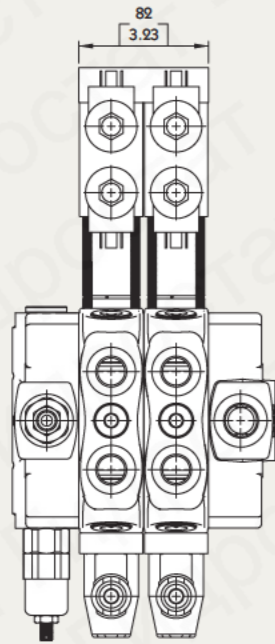
Solenoid operating features :

NOMINAL VOLTAGE: 12VDC / 24 VDC
POWER RATING: 21 W
DUTY CYCLE: 100 %



SN-4 B Side Sectional Directional Control Valves

Type 8ER3



Operating features :

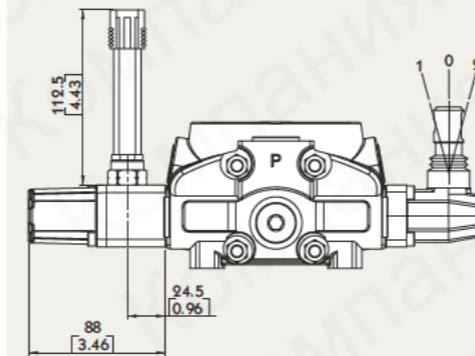
- PILOT PRESSURE: • MIN. 10 BAR / 145 PSI
• MAX. 50 BAR / 725 PSI
MAX. BACKPRESSURE ON DRAIN L: 25 BAR / 360PSI

Solenoid operating features :

- NOMINAL VOLTAGE: 12VDC / 24 VDC
POWER RATING: 21 W
DUTY CYCLE: 100 %

SN-4 B Side Sectional Directional Control Valves

Type 8MG



MICROSWITCH

Operating features :

MECHANICAL LIFE: • 5X10⁶ OPERATIONS

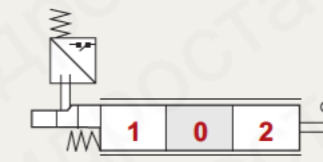
ELECTRICAL LIFE (RESISTIVE LOAD):

- 10⁶ OPERATIONS 7A / 13.5 VDC
- 5x10⁵ OPERATIONS 10A / 12 VDC
- 5x10⁴ OPERATIONS 3A / 28 VDC



8MG1 Kit:

MICROSWITCH WITH MALE/FEMALE CONNECTOR, OPERATED IN POS. 1



8MG2 Kit:

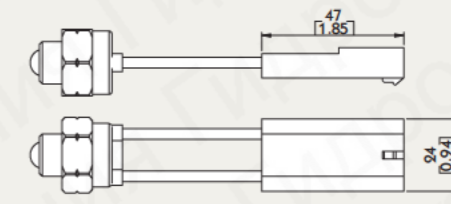
MICROSWITCH WITH MALE/FEMALE CONNECTOR, OPERATED IN POS. 2



8MG3 Kit:

MICROSWITCH WITH MALE/FEMALE CONNECTOR, OPERATED IN POS. 1 AND POS. 2

With NO contact (female connector with male end)



With NC contact (male connector with female end)



SN-4 B Side Sectional Directional Control Valves

Type 8

| | |
|--|--|
| | 8 Kit: SPRING RETURN TO NEUTRAL POSITION |
| | 8-1 Kit: SPRING RETURN TO NEUTRAL POSITION. (2 POSITIONS) |
| | 8-2 Kit: SPRING RETURN TO NEUTRAL POSITION. (2 POSITIONS) |

Type 9

| | |
|--|---|
| | 9-1 Kit: DETENT IN POS. 1, 2 WITH SPRING CENTERED |
| | 9-2 Kit: DETENT IN POS. 2 WITH SPRING CENTERED |
| | 9-3 Kit: DETENT IN POS. 1 WITH SPRING CENTERED |

SN-4 Port Relief Sectional Directional Control Valves

TYPE C

TYPE P

TYPE PM

TYPE U

SN-4 Outlet

Sectional Directional Control Valves

Power Beyond Conversion plug
(Closed center plug)

