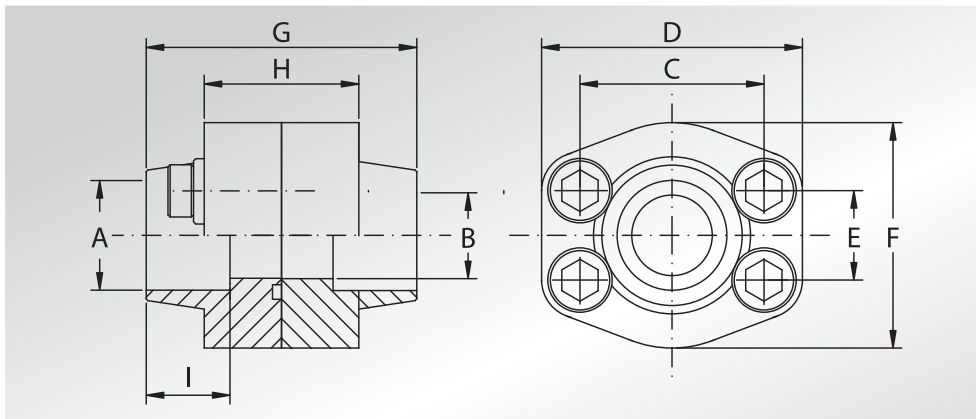


**DOPPIE FLANGE
A SALDARE
DI TASCA**



**WELD IN
DOUBLE FLANGES**



Pressione max di esercizio raccomandata Kg/cm ²	Grandezza	Tipo	Dimensioni									Viti		Or tipo	Peso Kg
			Dimensions									Screws			
Maximum recommended working pressure Kg/cm ²	Size	Type	A	B	C	D	E	F	G	H	I	Metric	Unc	Or type	Weight Kg

SERIE 3000

345	1/2"	DFS080S	21,6	13	38,10	57	17,48	46	72	32	19	M8x30	5/16x1"1/4	4075	0,56
345	1/2"	DFS080S038	17,5	13	38,10	57	17,48	46	72	32	19	M8x30	5/16x1"1/4	4075	0,61
345	3/4"	DFS100S	27,2	19	47,63	65	22,23	50	72	36	19	M10x35	3/8x1"1/2	4100	0,88
345	1"	DFS102S	34,0	25	52,37	70	26,19	55	76	36	19	M10x35	3/8x1"1/2	4131	1,03
276	1"1/4	DFS104S	42,8	32	58,72	79	30,18	68	82	42	22	M10x40	7/16x1"3/4	4150	1,50
207	1"1/2	DFS106S	48,6	38	69,85	93	35,71	78	90	50	24	M12x45	1/2x1"3/4	4187	1,65
207	2"	DFS108S	61,0	51	77,77	102	42,88	90	90	50	26	M12x45	1/2x1"3/4	4225	2,56
172	2"1/2	DFS110S	76,6	63	88,90	114	50,80	105	100	50	30	M12x45	1/2x1"3/4	4275	3,13
138	3"	DFS112S	90,5	73	106,38	134	61,93	124	100	54	34	M16x50	5/8x2"	4337	4,67
34	3"1/2	DFS114S	103,0	89	120,65	152	69,85	136	96	54	34	M16x50	5/8x2"	4387	5,18
34	4"	DFS116S	115,5	99	130,18	162	77,77	146	96	54	34	M16x50	5/8x2"	4437	5,98
34	5"	DFS118S (*)	142,0	120	152,40	184	92,08	180	100	56	28	M16x50	5/8x2"	4537	8,12

SERIE 6000

414	1/2"	DFS401S012	21,6	13	40,49	57	18,24	46	72	32	19	M8x30	5/16x1"1/4	4075	0,57
414	1/2"	DFS401S038	17,5	13	40,49	57	18,24	46	72	32	19	M8x30	5/16x1"1/4	4075	0,62
414	3/4"	DFS402S	27,2	19	50,80	71	23,80	55	70	42	22	M10x40	3/8x1"1/2	4100	1,14
414	1"	DFS403S	34,0	25	57,15	81	27,76	65	84	50	22	M12x45	7/16x1"3/4	4131	1,76
414	1"1/4	DFS404S	42,8	32	66,68	95	31,75	78	90	54	25	M14x45	1/2x1"3/4	4150	2,62
414	1"1/2	DFS405S	48,6	38	79,38	112	36,50	94	100	60	28	M16x50	5/8x2"	4187	4,23
414	2"	DFS406S	61,0	51	96,82	134	44,45	114	130	74	24	M20x70	3/4x2"1/2	4225	7,63
414	2"1/2	DFS507S (*)	76,6	63	123,80	180	58,70	152	160	90	30	M24x80	-	4275	-
414	3"	DFS508S (*)	90,5	73	152,40	208	71,40	178	180	110	30	M30x100	-	4337	-

**DESIGNAZIONE PER ORDINE
DESIGNATION FOR ORDER**

Materiale / Material

ST52.3 **AISI 316L**

Flangia + controflangia + set viti metriche
Flange + counter-flange + metric screws set

DFS...SM **DFX...SM**

Flangia + controflangia + set viti unc
Flange + counter-flange + unc screws set

DFS...SU **DFX...SU**

NOTE / NOTES

- (•) Solo in ST52.3
- (•) Only in ST52.3

set viti unc disponibili solo in acciaio al carbonio.
unc screws set available only in carbon steel.

(*) set viti disponibili solo in acciaio al carbonio.
(*) screws set available only in carbon steel.